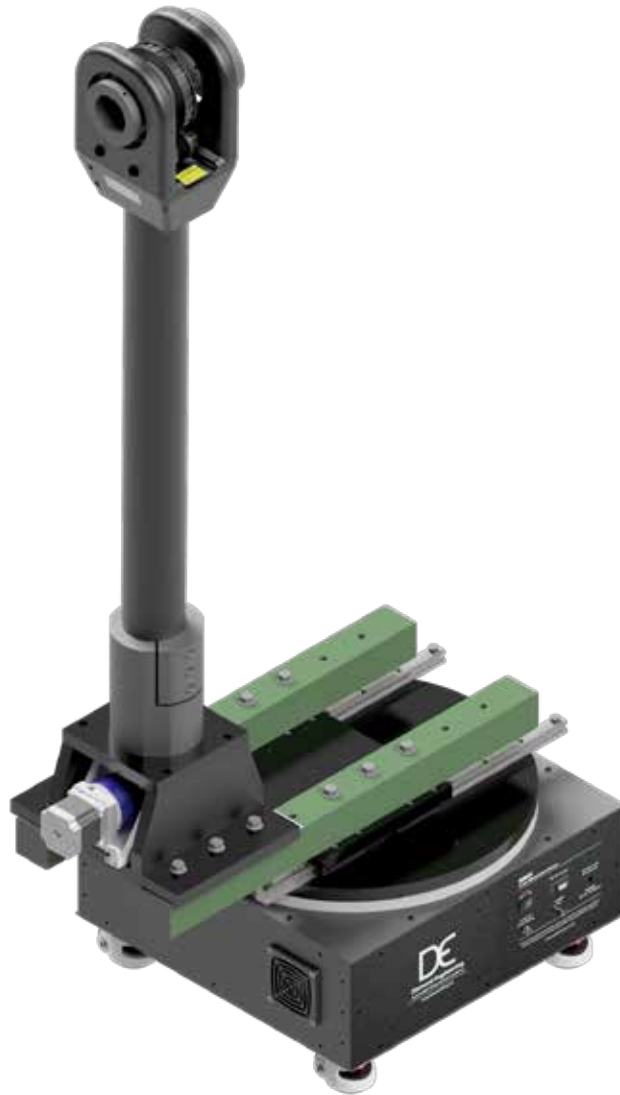


## Installation and Configuration Guide

---



---

**D6025 Multi Axis Positioner**

---



# Table of Contents

System Introduction and Package Contents .....	5
Positioner Components Overview .....	6
Hardware Assembly (2-Axis Systems) .....	7
Belt Drive Head Assembly .....	9
Phi/Roll Axis .....	10
Cable Attachment .....	11
Software Installation .....	12
DAMS Software Configuration .....	13
Basic Positioner Operation .....	14
Getting Started .....	15
Alternative Mast Mounting .....	17
Part Drawing - Roll Plate .....	18
Part Drawing - Roll Plate mmW Option .....	19
General System Troubleshooting.....	20
Warranty, Replacement Parts & Contact Information .....	21



**Diamond Engineering**

Automated Measurement Systems

<http://www.DiamondEng.net> · [Support@DiamondEng.net](mailto:Support@DiamondEng.net)

P.O. Box 2037 Diamond Springs, CA 95619 · 530-626-3857



# System Introduction and Package Contents

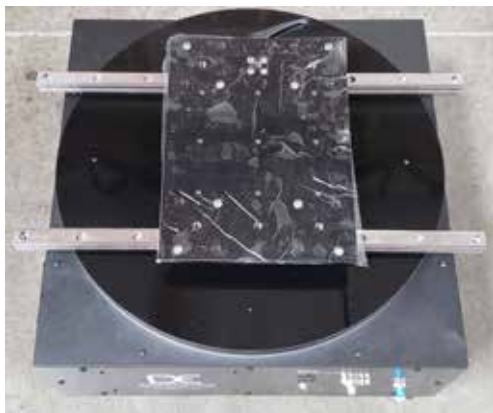
## Overview

The Diamond Engineering D6025 multi-axis positioner is a 2-axis positioner (EL/AZ) / (Theta/Phi) with up to two additional linear axis options (Z and X) for automated phase measurements. The positioner can interface directly with the DAMS Antenna Measurement Studio software, or can be controlled via custom software over an RS-232 communications bus.

## Package Contents

- D6025 turntable base with RF components
- D6025 mast assembly
- Mast attachment base
- Two 24" fiberglass rail extensions
- One 7' Phi- / Roll-axis RF cable
- Two 10' RF cables
- Right angle RF adapter\* and other RF connectors
- 24V power supply and line cord
- 10' DB9 serial cable (with USB to serial converter)
- Assembly hardware
- Laser and digital level
- AUT mounting hardware
- Tools

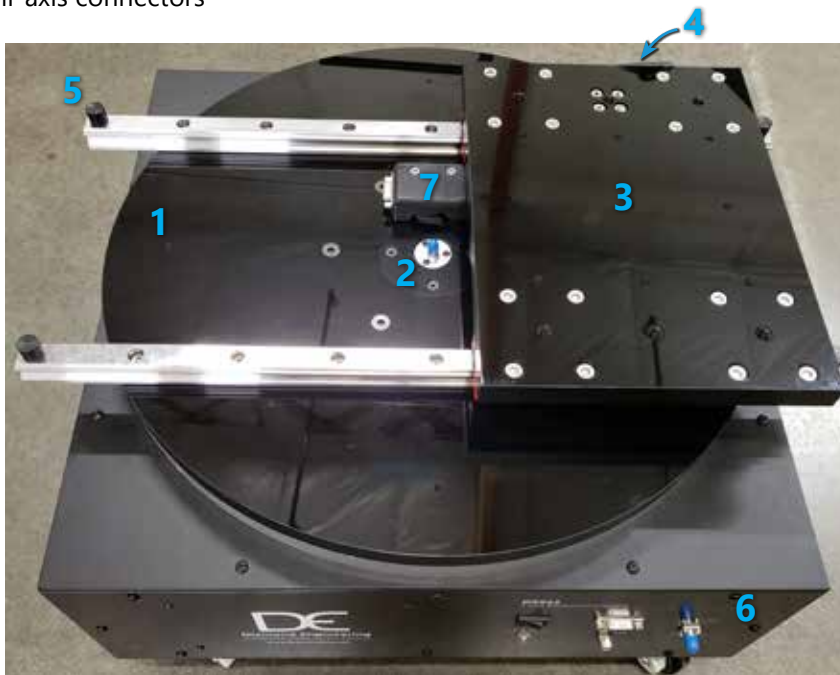
\* unless included on roll cable (not applicable to 67+ GHz systems)



# Positioner Components Overview

## D6025 Turntable

1. 18" x 0.75" acrylic turntable plate
2. RF rotary joint
3. Main carriage plate
4. Linear guide brake (to lock rails after centering antenna)
5. Linear guide stops
6. Control panel
7. Roll-axis connectors



## Control Panel

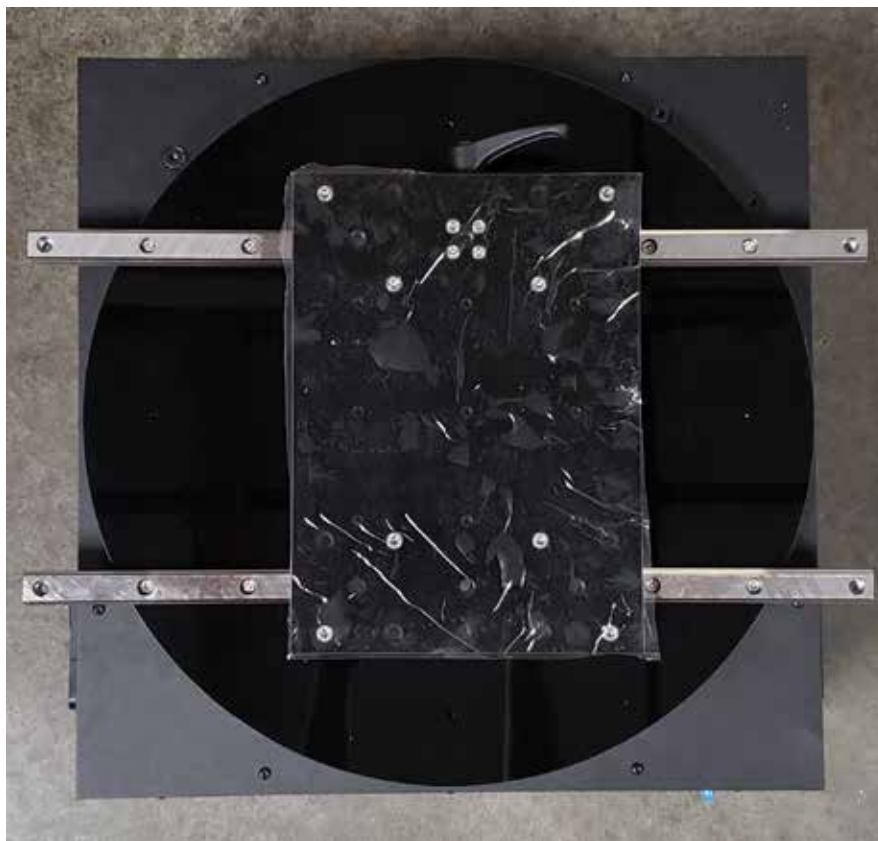
1. Power switch
2. 9-pin (DB9) RS-232 control connector
3. 24V 5A DC power jack (2.5mm barrel)
4. Auxiliary (Z) axis (optional)
5. RF connector



# Hardware Assembly (2-Axis Systems)

## Unpacking The System

1. Unpack all components where turntable will be installed.
2. If possible, save shipping crates and packing materials in case you need to return system for maintenance or warranty repairs.
3. **IMPORTANT:** Position turntable so **connector panel faces away** from the reference antenna.



4. Rotate the orange dial located on the wheels to the right to lower the rubber feet and disabling wheel rotation.



## Optional Extension Rails & Mast Base Installation

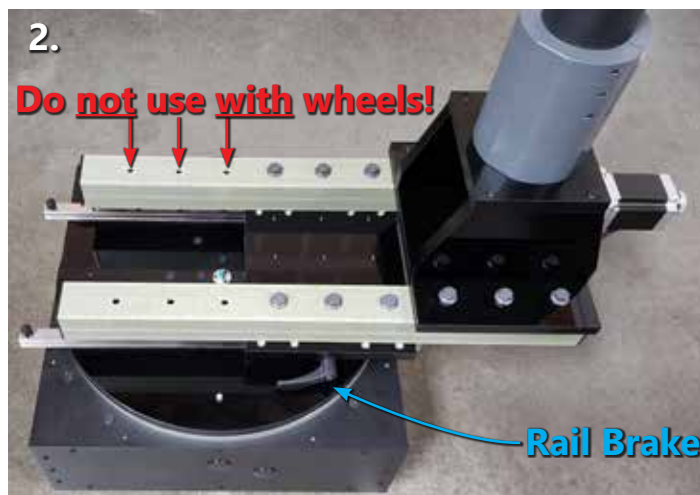
1. Using supplied hardware, attach the two green fiberglass rail extensions to the main carriage plate, following the labels for proper orientation. For initial installation we recommend using the set of holes shown in the picture #1 below.



**TIP:** Do not tighten the bolts completely yet - leave slightly loose until the mast base has been attached, **then** tighten completely.

2. Attach mast base assembly to the fiberglass rails using supplied hardware as shown in picture #2.

**CAUTION:** If you're utilizing the fiberglass rail extension and intend to use the furthest extension possible, remove the caster wheels and bolt the positioner down for optimum stability. **Extending the mast too far from the positioner can cause the positioner to become top-heavy and prone to tipping.**



**IMPORTANT:** Do NOT over-tighten the gray fiberglass bolts! Never exceed more than 1/4 turn after bolt makes contact with surface.



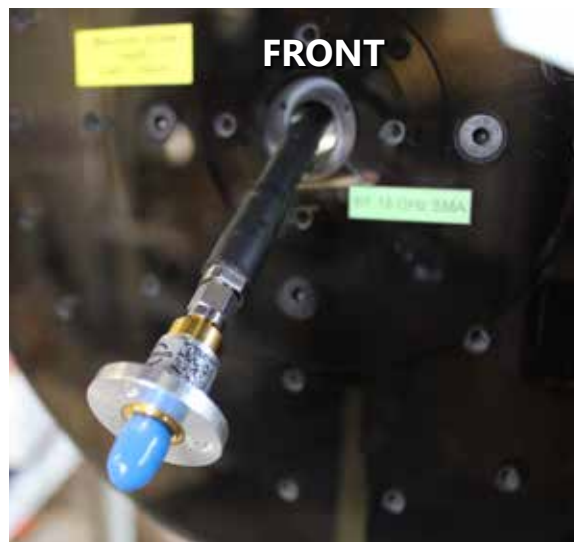
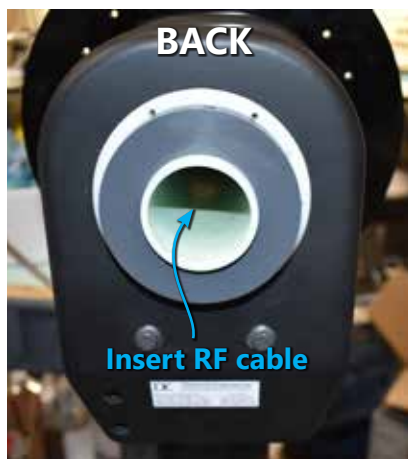


# Belt Drive Head Assembly

Your system should have arrived with a fully assembled mast assembly. The only tasks required should be to attach the optional roll plate, connect the RF components and the roll cable.

## Roll Plate, RF Cable and Rotary Joint Installation

1. Unpack the included rotary joint, 10" roll plate, roll plate screws and the 96" RF cable.
2. Attach optional roll plate to head using the four included 10-32 x 0.75" screws.
3. Run RF cable through back of 2" hollow axle, all the way through the front center hole in the roll plate.
4. Use RF torque wrench to carefully attach rotary joint to RF cable. If RF torque wrench unavailable, torque to no more than 8 in-lbs (inch-pounds).
5. Using included blue anodized 4-40 x 1/4" screws and included 1/16" hex wrench, carefully attach rotary joint to roll plate.

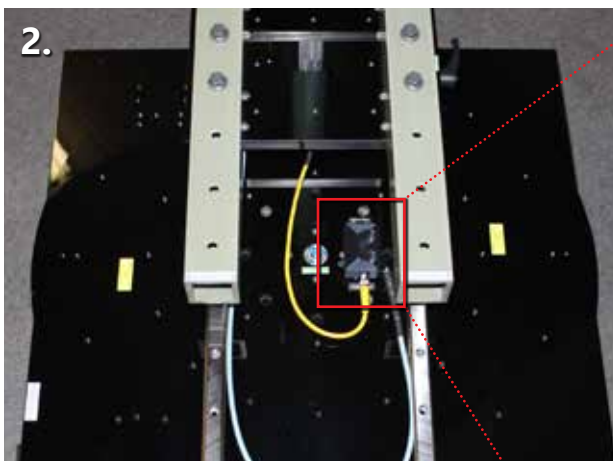
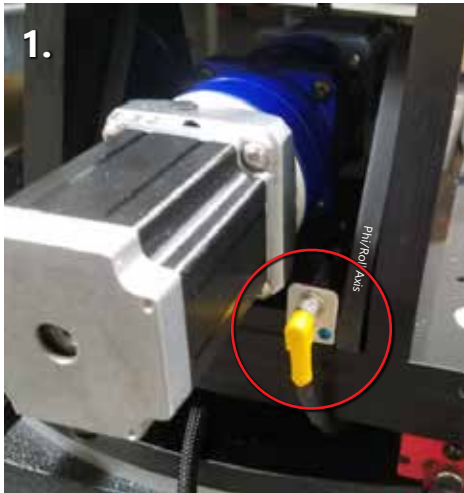


*(Photo depicts after rotary joint is connected to RF cable)*



## Roll Cable & Turntable RF Connections

1. First connect the right angle female connection to the motor on the bottom of the back of the mast. The connector is designated with a "Phi/Roll Axis" label.
2. Run the cable under the carriage plate and connect the male end to the connection box near the center of the turn table (to the side of the turntable rotary joint).
3. Utilizing the provided right-angle RF connector, attach it to the rotary joint at the center of the turntable. Use RF torque wrench to carefully attach rotary joint to RF cable. If RF torque wrench unavailable, torque to no more than 8 in-lbs (inch-pounds). Also attach the RF cable using same technique.



# Cable Attachment

## Cable Attachment

1. Attach the RS-232 control cable with USB-to-Serial adapter to the turntable.
2. Plug in power supply and connect to DC power jack.
3. Attach end of one RF cable to the D6025 and attach the other end to your network analyzer. Be sure to use a RF torque wrench if possible. If not available, be sure to not overtighten. Doing so could compromise connector performance.



# Software Installation

## Controller Installation

1. Ensure the Controller is Powered on.
2. Install the DAMS Measurement Software from the Included CD / USB Stick (Note: you must be administrator on the PC)
3. Connect the USB-Serial Adapter to the computer. **IMPORTANT:** If possible, let windows search for an updated driver on the internet. If windows CANNOT locate a driver Proceed with Steps 4. IF windows DOES find and install the driver proceed to step 6.
4. Choose a location for Windows to look for the driver and specify C:\DAMS\ driver. (Windows will say the driver is not certified, this is OK), press "Next" and the installation should finish.
5. Open device manager (Control Panel → System → Hardware Tab → Device Manager). Click Ports and note the COM port of the USB/Serial Converter.

## Entering License Key

1. Start the DAMS Software and select "License Info" from the "System Options" pull-down in the upper left corner of the software Enter your license key as found on the back of your user's manual.
2. Additionally, If you were supplied a simulator license, select simulator license from the pull-down and enter the key
3. Press the "QUIT" button to exit and save changes,
4. Restart the software, it's now ready to use.

## DAMS Software Configuration

**IMPORTANT:** To prevent potential damage to positioner, follow configuration instructions on the next page.

# DAMS Software Configuration

## Verify Proper Motor Values

1. Open the DAMS Measurement software and select "positioner settings" from the upper right corner of the screen.
  2. Select USB-SERIAL from "Select Controller"
  3. Press "Find" to find the controller
  4. Place a check mark in D6050 and Full Spherical Mount
- NOTE: Selecting this box will auto-fill the boxes, but you must still change the settings as defined below.**
5. Enable Horizontal and Vertical Mini-Stepping (be sure to check both boxes!)
  6. Adjust motor resolution and gear ratio to the following values (as shown in graphic below):

<u>AZ (Phi / roll)</u>		<u>EL (Theta / turntable)</u>	
Motor Res.:	1.125	Motor Res.:	1.125
Gear Ratio:	36	Gear Ratio:	72

7. On the right hand side, adjust the Speed Settings on all six sliders to the following values:

<u>Horizontal</u>		<u>Vertical</u>	
Start:	500	Start:	500
Stop:	2,000	Stop:	2,000
Slope:	8	Slope:	5

8. Press "SAVE" and on the subsequent pop-up, select "Restart with Default Extents"

The screenshot shows the 'Motor and Control Settings' window. On the left, the 'Select Controller' dropdown is set to 'USB/SERIAL'. The 'Find' button is highlighted. Below, the 'AZ Motor Res.' is set to 0.1125 and 'AZ Gear Ratio' is set to 72. The 'D6050 Series' and 'Full Spherical Mount' checkboxes are checked. The 'Save' button is highlighted. On the right, the 'USB Horizontal - Speed and Acceleration Settings' panel shows sliders for Start Speed (500), End Speed (2000), and Slope (8). The 'Mini Stepping' checkbox is checked. Below it, the 'USB Vertical - Speed and Acceleration Settings' panel shows sliders for Begin Speed (500), End Speed (2000), and Slope (8). The 'Mini Stepping' checkbox is also checked. A warning message is displayed: 'WARNING: Do NOT turn on unless you received your DAMS System after 6/05'.

# Basic Positioner Operation

## Overview

The D6025 positioner is configured for Az/EI data collection. The Phi/Roll positioner is the azimuth while the turntable is Theta/Elevation. When configured for standard operation, the turntable has a range of +/- 90 degrees and the Phi/Roll positioner has a range of either 0 to 360 or +/- 180 degrees.

## Position Tracking / Zeroing

**\*\* IMPORTANT \*\***

The D6025 Positioner operates in an “open loop” positioning mode. This means the physical location of the turntable and roll positioner is not tracked using encoders but is tracked within the software. When the software is started, both Azimuth and Elevation are assumed to be 0 degrees. **Before making any measurements or jogging the positioner it is critical to set the positioner to its physical 0/Center locations.**

## Limit Switches

The D6025 Turntable is equipped with two limit switches; a “HOME” limit switch (full CW rotation) and a “MAX” limit switch (full CCW rotation). These are located at roughly +/- 185 degrees respectively. These switches are critical in preventing the over-rotation of the turntable. If the turntable is over rotated, the Phi/Roll axis cable could become entangled with the centrally located RF rotary joint causing damage to the cables and/or the positioner.

If the positioner has been properly zeroed before moving or making measurements, the limit switches should never be tripped. In the event that either the home or max limit switch is triggered during a movement, it will instantly be stopped and any measurement will be cancelled. The software will then prompt you to move the turntable to either 180 degrees from the limit switch, or to a stored offset position. Once this has been done it is critical to use the Elevation Jog +/- buttons to physically center the turntable before pressing the “zero positioner” button.

The D6025 Phi/Roll-axis does not use limit switches and can be rotated unlimited times in CW or CCW direction.

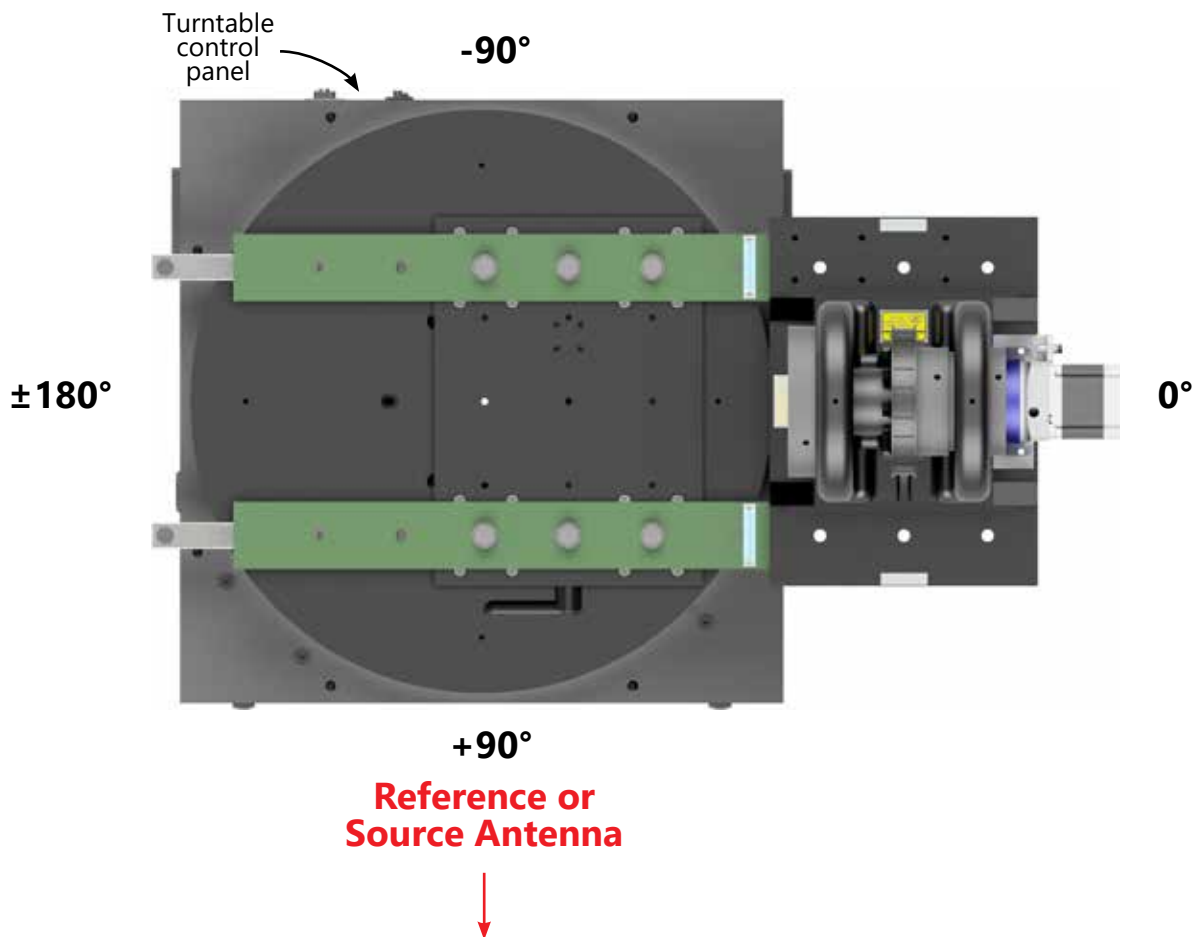
# Getting Started

## Start software and set positioner to physical zero

After starting the software, but before making a measurement, it is important that the positioner is set to (0,0) most especially the turntable / elevation axis. There are 3 main ways to set (0,0) which are listed below:

### Basic Software Zero - without storing offsets

1. Start the software.
2. Use the elevation jog buttons to orient the turntable as shown below. The roll positioner should be positioned so that the AUT bore sight is facing the stationary antenna.
3. Press the "Zero Positioner" button - select "SET ZERO" which will establish the current turntable and roll positions as zero.



## Software zero with storing offsets (Home or Max)

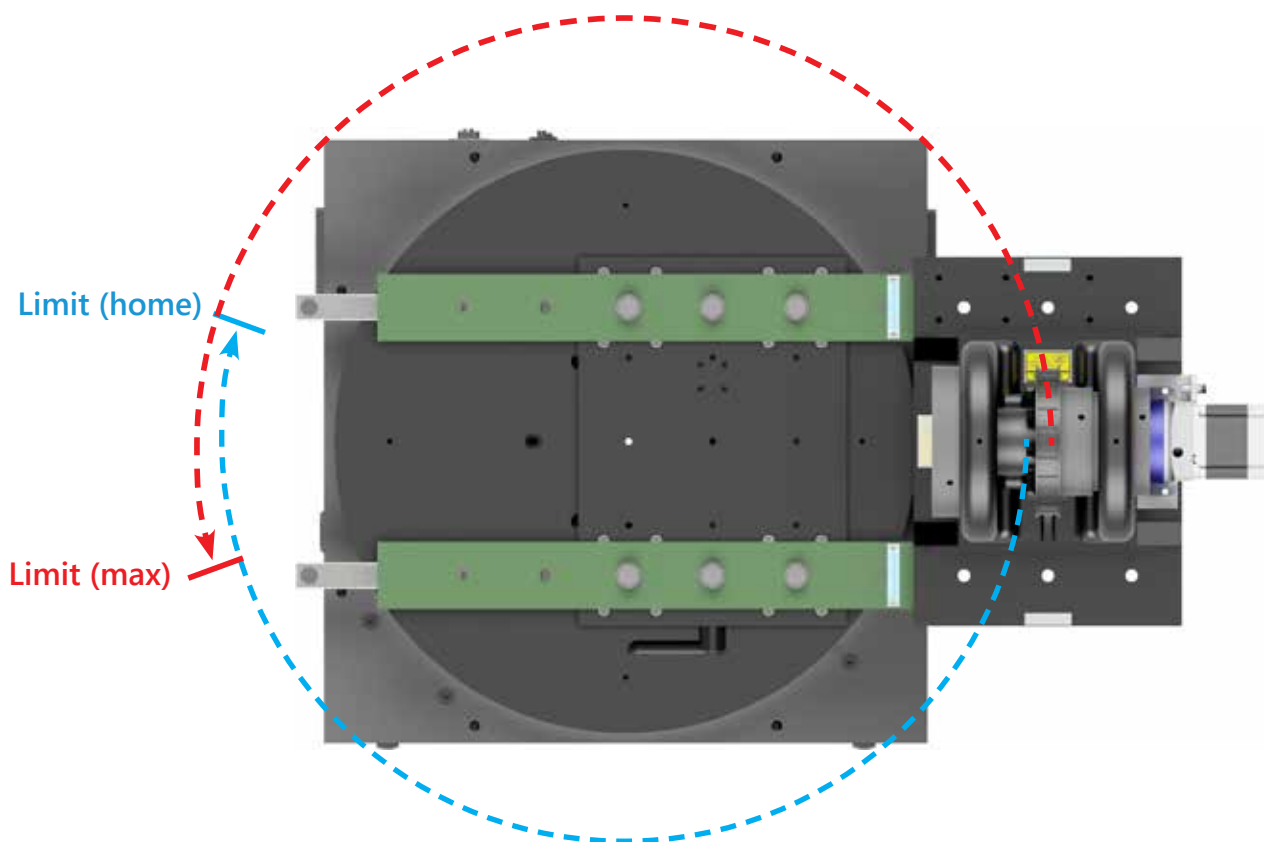
Home and Max limits can be used to re-position the turntable to 0 when a limit has been struck. A home offset can also be used to zero the positioner on startup.

1. After a limit has been struck and the positioner moved off the limit, use the elevation jog buttons to position the turntable to the physical 0 position as shown in the diagram.
2. Press the "Zero Positioner" button - select "SET ZERO, REC OFFSET", this will set current turntable and roll position as zero and store the offset degrees from the turntable's limit switch, the offset that is recorded is the one from the last switch that was struck.

## Search for home, recall offset

When the software has just been started and you have previously set a HOME offset, the positioner can be moved to that exact position by first finding the home switch then moving the turntable the proper number of offset steps to reach the physical 0 position.

1. Have the DAMS Software running
2. Press "Zero Positioner"
3. Select "Search / move to zero"
4. The positioner will move up to 370 degrees clockwise to find the limit switch, when the switch has been found use the "Stored position" option to have the software move the turntable to the physical 0 location.





# Alternative Mast Mounting

## Description

If you do not wish to use the fiberglass rail extensions, the mast base can be mounted directly to the carriage plate using the alternative mast base mounting bolts.

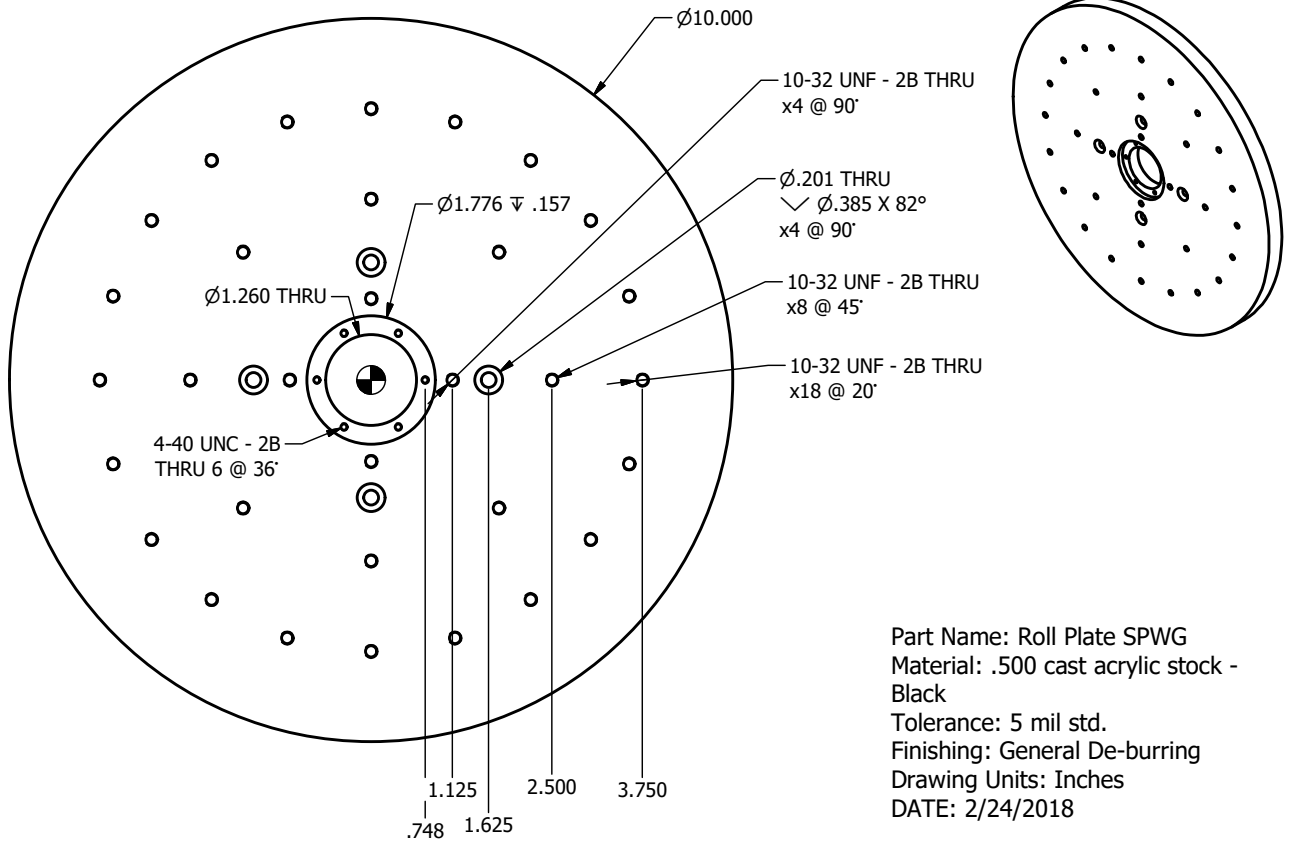


*(Legacy control panel design shown here)*



# Part Drawing - Roll Plate mmW Option

All units are in inches. Custom mounting solutions are available. Please contact us at support@DiamondEng.net for a quote or more information.



Part Name: Roll Plate SPWG  
 Material: .500 cast acrylic stock - Black  
 Tolerance: 5 mil std.  
 Finishing: General De-burring  
 Drawing Units: Inches  
 DATE: 2/24/2018

# General System Troubleshooting

Problem	Possible Causes	Solutions
<b>Power supply light on but controller is not on</b>	Power supply not connected correctly, Power Switch is not turned ON?	Check the above items and if all is correct, please <a href="#">contact us</a> for service.
<b>Controller light is on but positioner does not move</b>	USB cable not connected? Driver not installed? Improper port selection in DAMS software?	Check all connections and reboot. Open "positioner settings" and click "Find". If controller not found, go to: Control Panel → System → Device Manager → COM Ports. Verify the DAMS Platform Controller is listed. If not, please refer to the main users manual for detailed instructions.
<b>Only one axis is moving</b>	Loose cable connection? Controller error?	With the controller off, disconnect and then reconnect all cables.
<b>Wrong axis moving</b>	Reversed cable connections? Improper positioner settings?	Contact support@DiamondEng.net.
<b>ERROR: Driver for [instrument] not found</b>	Instrument not configured properly in Agilent VEE Runtime I/O configuration?	Read instrument configuration instructions. Contact us if problem persists.
<b>Out of memory</b>	Measuring with too many frequency points for physical resolution settings?	Reduce the number of points, or limit the AZ / EL extents.
<b>Matlab Error</b>	Is Agilent VEE Pro Runtime set to run as administrator?	Open C:\Program Files (x86)\Agilent\Vee Pro Runtime, right click veerun.exe and select properties, click the compatibility tab and select "RUN AS ADMINISTRATOR"
<b>Excel Export Crashes</b>	Is Excel installed on PC? Are there are least 3 sheets? Do sheet names shown in DAMS software match excel?	In Excel, click file, options and change default number of sheets.  In DAMS software open excel export and click sheet names, verify the names match the default sheet names in excel.

If you are experiencing any of the above problems or an unlisted problem and cannot determine the cause, please do not hesitate to [contact us](#). We are happy to assist in resolving any issues.

# Warranty, Replacement Parts & Contact Information

## Warranty Information

Diamond Engineering's Antenna Measurement Systems are guaranteed from one to three years on parts and labor from the time it was received by you. If there is an issue with the product please send us a picture or write a very detailed description of the problem. If we determine that you have a faulty unit or a bad part, we will ship you a replacement part or unit along with a pre-paid self-addressed box to send the defective unit back.

## Replacement Parts

If you ever need a replacement part for your unit, please call us or e-mail us for pricing information. Most repairs are covered under warranty except for damages resulting from obvious abuse or misuse of the product.

## Contact Information

Visit us at <http://www.DiamondEng.net>

### Main Headquarters

Diamond Engineering Inc  
6051 Enterprise Drive, Suite 101  
Diamond Springs, CA 95619

Phone (530) 626-3857  
Fax (530) 626-0495

### Mailing Address

Diamond Engineering Inc  
P.O. Box 2037  
Diamond Springs, CA 95619



**Diamond Engineering**

Automated Measurement Systems

<http://www.DiamondEng.net> · [Support@DiamondEng.net](mailto:Support@DiamondEng.net)

P.O. Box 2037 Diamond Springs, CA 95619 · 530-626-3857